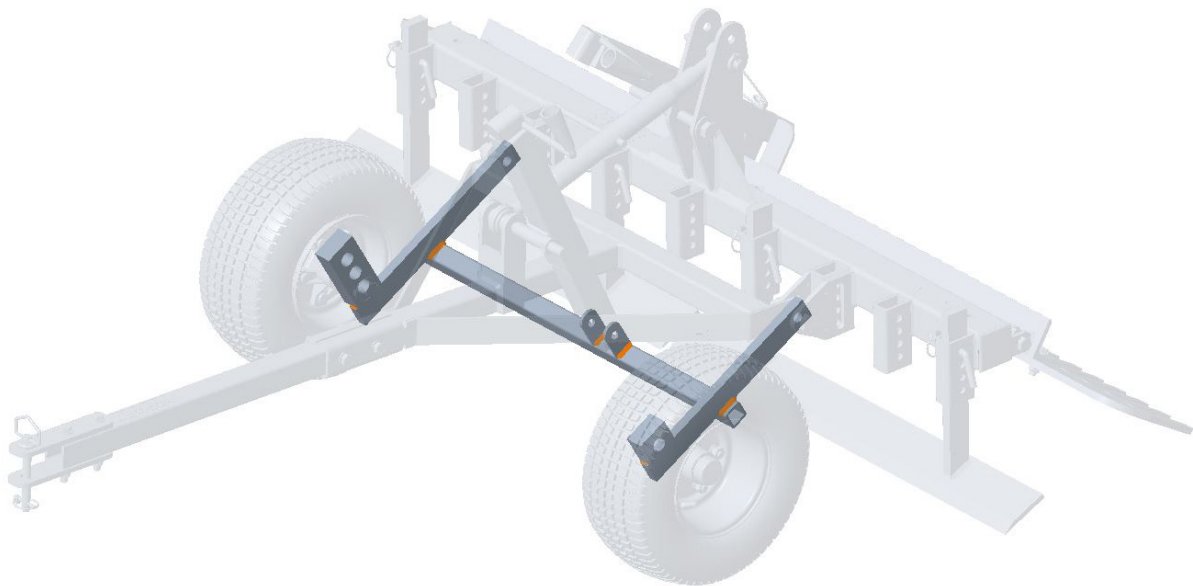


ABI RASCAL

Wheel Axle Replacement Instructions



NOTE: This installation manual covers several models. Features may vary by model. Not all features in this manual are applicable to all models and the model depicted may differ from yours.

Wheel Axle assembly Removal

1. ABI recommends this be a 2 person job to avoid injury when removing bolts! Lift the tongue of the Rascal up in the air until the unit is supported on the Dragmat (or weight support) bracket and Finish Rake. **Make sure Rascal is stable to prevent falling over when taking off components (Fig 1).**

2. Remove Lynch Pin from each wheel axle. Remove both tires and hub/axle assemblies (**Fig 2**).

3. Remove bolt, washers, spacers (spacers will only be supplied if electric actuator is installed) and nut that mounts actuator to wheel axle assembly using (2) 3/4" wrenches (or socket set) (**Fig 3**). **Take caution when removing bolt** - the actuator will swing upwards and the wheel axle assembly will swing downwards. Keep head, legs and feet clear. **Recommend 1 person holding the actuator and wheel axle assembly while the other person removes bolt.**

4. Remove both nuts and washers that mount the wheel axle assembly and Body Frame to the Scar/Profile Blade weldment (leave both bolts in place until both nuts are removed) using (2) 1-1/8" wrenches (or socket set) (**Fig 4**).

5. While 1 person is holding the Tongue and Body Frame the other person can hold the wheel axle assembly while pulling the first bolt (and washer by bolt head) out. Repeat this step on the other side (both people may need to wiggle the tongue/body frame and wheel axle assembly to take pressure off the bolts so they can be removed). The wheel axle assembly is now free from the unit. (**Fig 5**).



Fig 1.

Remove Lynch Pins and slide both wheel/hub assemblies off.

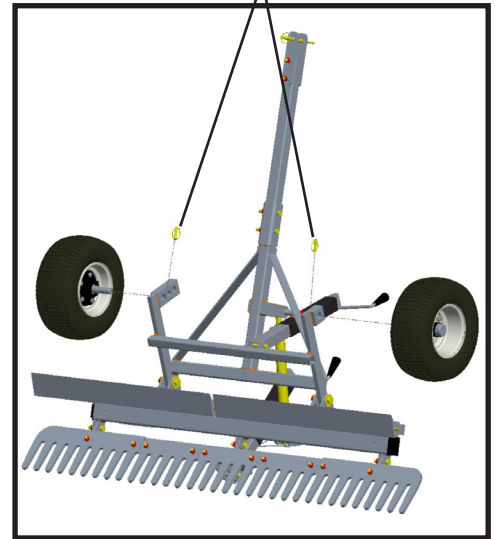


Fig 2.

Remove nut, washers, spacers (if supplied) and bolt.

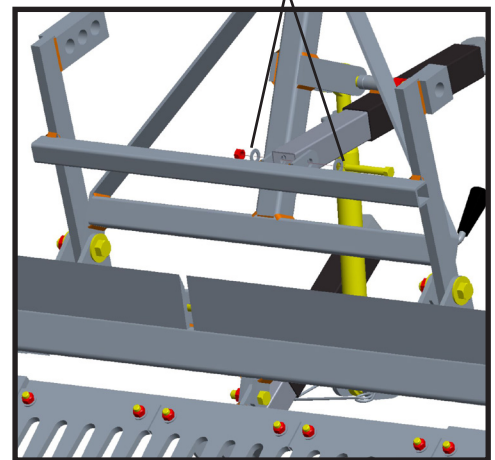


Fig 3.

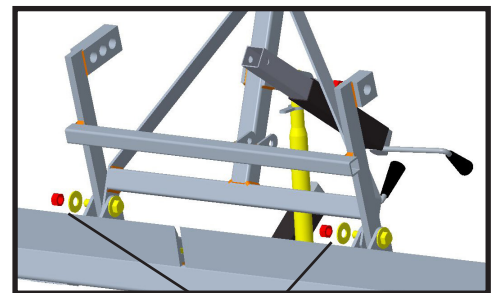


Fig 4.

Remove washers and nuts (leave bolts in place).

Wheel Axle assembly Installation

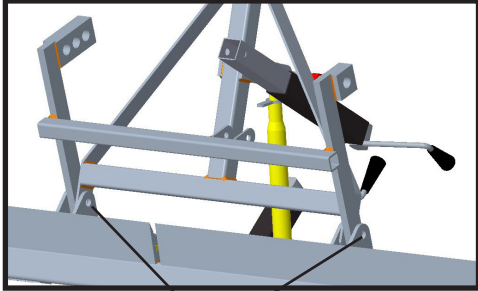


Fig 5A.

While one person is holding the Tongue and Body Frame, the other person holds the Wheel Axle assembly while pulling the bolts out.

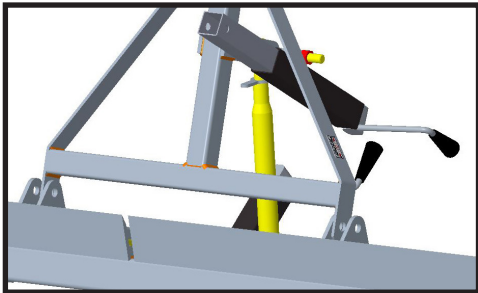


Fig 5B.

The Wheel Axle assembly can be removed.

6. ABI recommends this be a 2 person job to avoid injury when re-assembling! Attaching the replacement Wheel Axle assembly will just be the reverse order of removing the old Wheel Axle assembly. **Make sure Rascal is stable to prevent falling over when replacing components.**

7. While 1 person is holding the Tongue and Body Frame the other person can hold the wheel axle assembly in position while inserting the first bolt (with washer by bolt head) to secure the Wheel Axle assembly and Body Frame to the Scar/Profile Blade weldment. **Make certain the 1 hole and 3 hole wheel blocks are facing upwards in the same direction as the actuator.** Repeat this step on the other side (both people may need to wiggle the tongue/body frame and wheel axle assembly to align the holes so the bolts can be inserted into the unit) (Fig 6).

8. Replace washers back on to both bolts. Re-thread locknuts back on to both bolts. Tighten both locknuts using (2) 1-1/8" wrenches (or socket set) until locknuts, washers and bolt heads are firmly snug against the Scar/Profile Blade weldment brackets without bending the brackets (Fig 6).

9. Re-align the Actuator rod mounting hole with the holes in the Wheel Axle assembly brackets and re-insert the bolt, washers, spacers (if supplied) and nut that mounts the actuator to the wheel axle assembly using (2) 3/4" wrenches (or socket set). Tighten until locknut, washers and bolt head are firmly snug against the wheel axle assembly brackets without bending the brackets (Fig 7).

10. Replace both tires and hub/axle assemblies back into Wheel Axle assembly wheel block holes and secure both Lynch Pins back into each wheel axle. (Fig 8).

11. Both people grab the Tongue and carefully lower unit back down to working position (Fig 9).

Make certain the 1 hole and 3 hole wheel blocks are facing upwards in the same direction as the actuator.

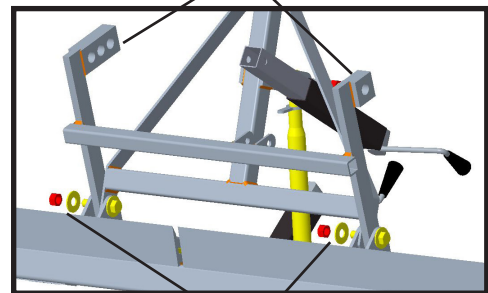


Fig 6.

Replace washers and nuts.

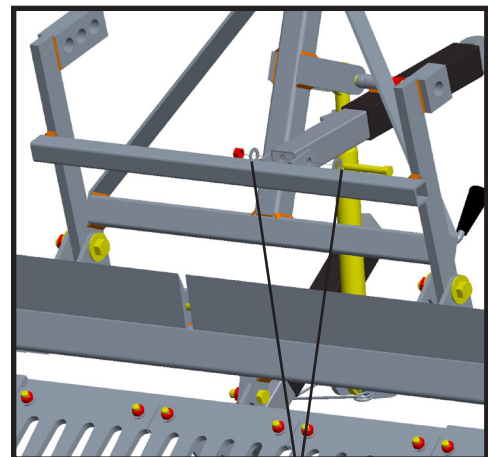


Fig 7.

Replace bolt, washers, spacers (if supplied) and nut.

Wheel Axle assembly Installation (cont'd)

Replace both wheel/hub assemblies and secure Lynch Pins to both axles.

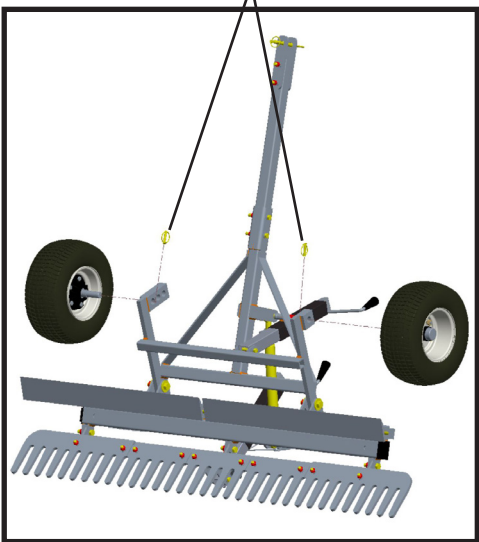


Fig 8.

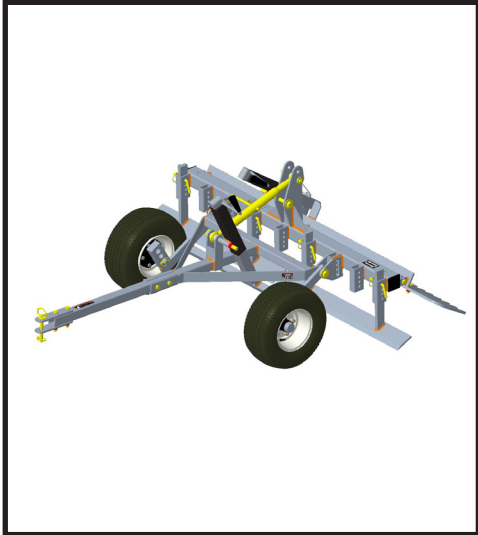


Fig 9.

Contact Information

ABI Attachments, Inc
520 S. Byrkit Ave.
Mishawaka, IN 46544

Customer Support

Email: support@abiattachments.com
Phone: 877-788-7253
Website: www.abisupport.com

To order parts or to speak to one of ABI's Customer Service Representatives contact us Monday to Friday 9am to 5pm EST.

For additional information on the use or replacement of the Rascal Wheel Axle assembly, please contact the ABI customer support team at 855.211.0598.

Additional support videos are available at the ABI support page (abisupport.com) under each tool.

Warranty Information and Return Policy - Warranty and return policy information can also be found on the ABI support page under each tool. For additional questions regarding warranty or return policy, contact the ABI customer support team at 855.211.0598.

