

# abiATTACHMENTS



## ***COMMAND SERIES*** <sup>TM</sup>

### **SR1 QUICK START GUIDE**

Please read fully and understand before operating!

## **THANK YOU!**

On behalf of the ABI family we would like to thank you for your recent purchase of your SR1 Skid Steer Attachment. Our Company's goal is to provide you, our customer; with innovative, quality tools as well as first rate customer service.

These instructions are designed to help you, the customer; get your new SR1 off the delivery pallet and into use. Once you have put your SR1 to work, if you have any questions, please feel free to call and talk with one of our friendly and knowledgeable Customer Service Department. To contact our Customer Service Department, call 877-788-7253 Monday to Friday 9am to 5pm EST.

To order parts for your SR1 please contact our Customer Support Department by phone at: 877-788-7253 Monday to Friday 9am to 5pm EST.

Additional information on the SR1 can be found on the ABI Support site at: [www.ABISupport.com](http://www.ABISupport.com) To contact ABI's Customer Service Department after hours go to the Help Desk on the ABI Support page at: [www.abisupport.com](http://www.abisupport.com) and send our Customer Service Department an email regarding any issue you may be experiencing with the SR1.

## **TO THE OPERATOR:**

The information presented in this manual will prepare you to operate the SR1 in a safe and knowledgeable manner. Operating the SR1 in a proper manner will provide a safer working environment and create a more efficient result. Read this manual fully and understand the entire manual prior to setup, operation, adjusting, performing maintenance, or storing the SR1. This manual contains information that will allow you the operator to get years of dependable performance from the SR1.

This manual will provide you with information on safely operating and maintaining the SR1. Operating the SR1 outside of the stated safety and operations guidelines may result in injury to operator and equipment or void the warranty.

The information provided in this manual was current at the time of printing. Variations may be present as Absolute Innovations, Inc. continues to improve and upgrade the SR1 for future use. Absolute Innovations, Inc. reserves the right to implement engineering and design changes to the SR1 as may be necessary without prior notification.

## SAFETY PRECAUTIONS

**Please exercise caution at all times when setting up, operating, or performing maintenance on the ABI SR1. Remember, any piece of equipment like the ABI SR1 can cause injury if operated improperly or if the user does not understand how to operate the equipment. Exercise caution at all times with using the ABI SR1.**

- Only operate the SR1 with all covers, shields, and safety devices installed and secured prior to operation.
- Never permit any person to ride or board the SR1. **NEVER ALLOW RIDERS ON THE SR1!**
- Use care and maintain minimum ground speed when operating the SR1 on a hillside, or when operating close to ditches, fences, or water sources.
- Never place any body part under the while the SR1 is in operation.
- Never allow anyone near the SR1 while in operation.
- Operate the SR1 in the daylight or under good artificial light. Operator should always be able to clearly see where they are going.
- Be alert for hidden hazards. Always operate the SR1 with caution over work environments that may have buried obstacles.
- Stay well and clear of all moving parts. Keep all limbs clear of attachments when making adjustments with all hydraulically operated attachments.
- Use caution when operating the SR1 in icy, wet, or snowy condition.
- Do not use the SR1 on highways or public thoroughfares. The SR1 is designed for off road use only.
- Always follow Skid Steer Manufacturer's rules for safe Operation of Skid Steer, and for proper procedures for attaching and disconnecting attachments. Contact your local dealership for an Owner's Manual for any questions related to the safe operation of the Skid Steer.
- Use caution when operating the SR1. Using the SR1 outside of stated safety and operations guidelines may result in injury to operator or others, property damage, or a void in warranty.

## SPECIFICATIONS

<b>Vehicle Type</b>	Skid Steer
<b>Min. Horse Power</b>	30
<b>Unit Weight</b>	460 lbs.
<b>Raking Width</b>	78"
<b>Grading Width</b>	-
<b>Scarifying Width</b>	66"
<b># of Scarifiers</b>	8
<b>Hydraulic Scarifiers</b>	-
<b>Scarifier Spacing</b>	9-10"
<b>Scarifying Depth</b>	0-5"
<b>Scarifying Tip</b>	Yes - Replaceable (Bolt-On)
<b>Hydraulic Ports Needed</b>	-
<b>Construction</b>	I-Beam & Angle Iron
<b>Rake Material</b>	3/4" AR Steel - Laser Cut - (Replaceable in sections)
<b>Wheels</b>	-
<b>3-Point Tractor Mount</b>	No
<b>Skid Steer Mount</b>	Universal
<b>Unit Dimensions</b>	78"W x 38-1/2"D x 19"H
<b>Warranty</b>	<p><b>36-Month Warranty</b></p> <p>We build equipment with commercial-grade construction and superior craftsmanship, so you can rest assured it will continue making you money for a long time. And to back that up, we offer a 36-month limited commercial warranty on this product. That's right, this product is designed for daily use, is built tough enough for commercial applications, and is backed by the longest standard commercial warranty we are aware of in the industry! Rental usage 12-months. See warranty documentation for details.</p>

## UNPACKING

### **Removing from Shipping Crate:**

Transport the SR1 in the shipping crate to a level firm surface. Using a crowbar/pry bar remove the top and sides from the shipping crate. Place the removed lumber away from the shipping crate once it is removed. With the top and sides removed from the shipping crate, use the metal snips to cut the metal band from around the SR1 to free it from the shipping crate. The SR1 is now ready to be attached to the Skid steer.

# INITIAL SETUP

## Attaching the SR1 to a Skid Steer:

1. Lift the latch handles fully on the mounting plate to ensure the lock pins are fully retracted.
2. Enter the Skid Steer, fasten the seat belt, start engine, and disengage the parking brake.
3. Drive the Skid Steer to the location of the SR1.
4. Tilt the mounting plates of the Skid Steer forward. Slowly drive forward, while raising the boom; and guide the top of the mounting plates into the SR1 mounting brackets.
5. With the mounting plates firmly in place, raise and roll back the mounting plates. Continue to raise and roll back the boom until the SR1 rests against the front of the mounting plate.
6. With the SR1 fully supported by the mounting plates, lower the boom until the SR1 is resting just above the ground.
7. Engage the parking brake, turn off the engine, and carefully exit the Skid Steer.
8. Lower each of the latch handles fully and ensure the lock pins are fully seated.

The SR1 is ready to be setup for operations. For information on setting up the SR1 go to the “Operation” section on page 6.

**\*\*NOTE TO OPERATOR:** Some Skid Steer models may have special hook up and disconnect requirements. Please refer to the Skid Steer Owner’s Manual for information on installing an attachment to your model Skid Steer.

## Disconnecting the SR1 from a Skid Steer:

1. Drive the Skid Steer to an area with a firm level surface.
2. Lower the Boom of the Skid Steer until the SR1 is sitting on the ground. The pitch of the SR1 may need to be changed to ensure that the Finish Rake makes contact to the ground before releasing the skid steer latch handles.
3. Engage the parking brake and stop the engine.
4. Lift the latch handles fully to ensure the lock pins are fully retracted.
5. With the latch handles fully retracted, tilt the mounting plate forward while slowly backing away from the SR1.

# OPERATION

## Leveling the SR1 for Operations:

1. With the SR1 attached to the Skid Steer, and the scarifier depth set for use; transport the SR1 to an area where the unit will be used. See section “Setting the Scarifier Depth:” below for manually setting the depth of the scarifiers on the SR1.
2. Using the boom of the Skid Steer lower the SR1 down until the SR1 rest on the ground.
3. With the SR1 firmly touching the ground, tilt the SR1 forward while slowly backing up with the Skid Steer until the finish rake of the SR1 touches the ground and the rake is at a 20 to 30-degree angle (depending on soil consistency).

## Setting the Scarifier Depth:

The scarifiers on the SR1 will come pinned above the receiver tube using a 1/2” bent pin and 1/4” lynch pin. The scarifiers will need to be adjusted prior to use. The following directions are for adjusting the scarifiers for use:

1. With the SR1 attached to the Skid Steer and level for operation, raise the SR1 off the ground 6”-7”.
2. Set the parking brake, shut off the engine and exit the Skid Steer.
3. Remove the lynch pin from the bent pin and move the scarifier down in the receiver tube until the hole in the shank of the scarifier lines up to the first hole of the receiver tube.
4. With the holes lined up, insert the bent pin and secure with the lynch pin. Repeat this process for the remaining scarifiers to be adjusted. The depth that SR1 will work the ground is controlled by the position of the scarifiers in the receiver slot.
5. Move the scarifiers down as need to work the ground deeper or raise the scarifiers as needed to work the ground less. \*Below is information on checking the depth of the scarifiers to ensure they are operating at the proper depth. \* Transport the SR1 to an area where the attachment will be used.
6. Using the Skid Steer boom lower the SR1 down until the scarifiers touch the ground.
7. Slowly back up the Skid Steer while lowering the SR until the finish rake of the SR1 touch the ground and is setting at a 20 to 30-degree angle. Adjust the angle until you have a smooth flow of soil through the finish rake. This again will depend on the type of soil.
8. With the finish rake of the SR1 touching the ground, continue to back up 4-5’ to ensure the full depth of the scarifiers is reached.
9. Stop the Skid Steer, set the parking brake, shut off the engine and exit the Skid Steer.
10. Check to make sure the desired working depth for the scarifiers is being reached. If the depth of the scarifiers is too deep/shallow, adjust the depth of the scarifiers and repeat steps 5-10 of this section till the proper depth is reached. Make sure to check the depth of the scarifiers after every adjustment.

## USING THE SR1 FINISH RAKE

The Finish Rake on the SR1 can be used as an independent feature for use on jobs to distribute loose material. To use the finish rake as an independent feature, follow these procedures.

### Smoothing out material with the Finish Rake:

1. With the SR1 attached to the Skid Steer, transport the SR1 to an area where the material has been broken up using the scarifiers on the SR1.
2. Lift the SR1 using the boom and tilt the SR1 so that the finish rake is angled 20 to 30-degrees.
3. Lower the SR1 down so that the finish rake rest firmly on the surface. For areas with uneven surfaces the boom may need to be lowered or raised to prevent excess material from building up, or to allow for material to continue to be moved.
4. Slowly back up with the Skid Steer allowing the finish rake to move the material.
5. To give the job a finished look, slowly raise the boom as the Skid Steer moves backward to allow the material to feather out over an area.

### Pushing Material with the Finish Rake:

**\*\*Note to Operator:** The SR1 can be used to push material into an area. Always ensure the material has been loosened prior to pushing material, and never push material into an area where obstacles may be hidden, or out of operator view to prevent damage to the SR1 or property.

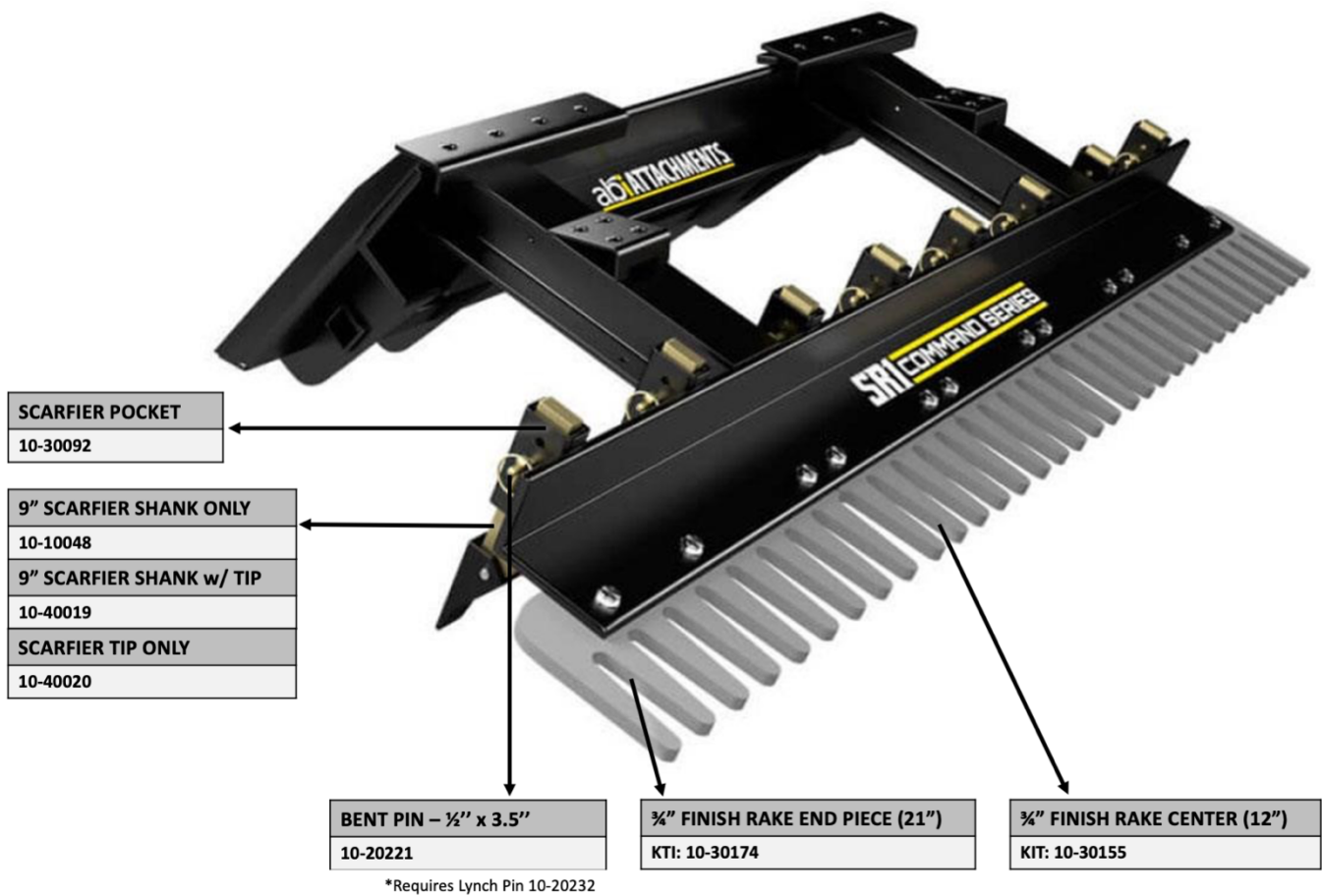
1. With the SR1 attached to the Skid Steer, transport the SR1 to an area where the material has been broken up using the scarifiers on the SR1.
2. Lift the SR1 using the boom and tilt the SR1 so that the finish rake is angled at 20 to 30-degrees.
3. Lower the SR1 down so that the finish rake rests firmly on the surface of the material.
4. Slowly push forward allowing the material to move forward with the SR1.
5. Once the material is moved into the area where it is needed, raise the boom and tilt the SR1 forward to allow the excess material to be deposited into the area.

## MAINTENANCE

Check hardware daily to ensure that nuts and bolts are tight, and that pins are properly secured. If any hardware is found to be damaged replace hardware prior to operating the SR1.

## COMMON REPLACEMENT PARTS

PART #	DESCRIPTION	QTY
10-10048	9" Scarifier (Shank Only)	8
10-40019	9" Shank with Bolt-on Tip and Hardware	8
10-40020	Bolt-on Scarifier Tip Only (w/ Hardware)	8
KTI: 10-30174	¾" Rake Ends (21") (w/ Hardware)	2
KIT: 10-30155	¾" Rake Centers (12") (w/ Hardware)	3





**For additional setup or usage questions or to order replacement parts, contact ABI Customer Service at 877-788-7253 Monday to Friday 9am to 5pm EST.**

**Additional support resources may also be found at [www.ABISupport.com](http://www.ABISupport.com)**

