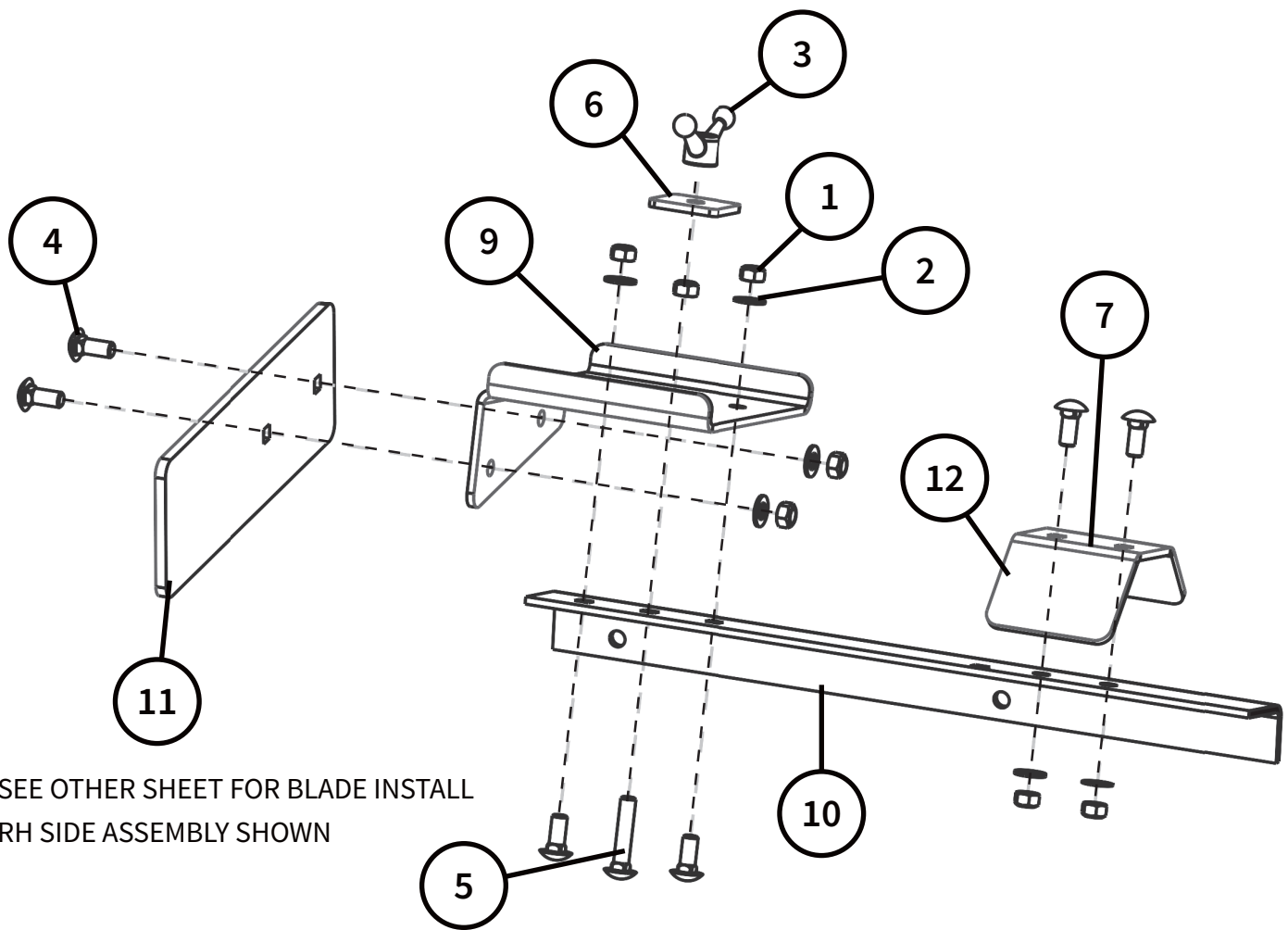


Product Instructions

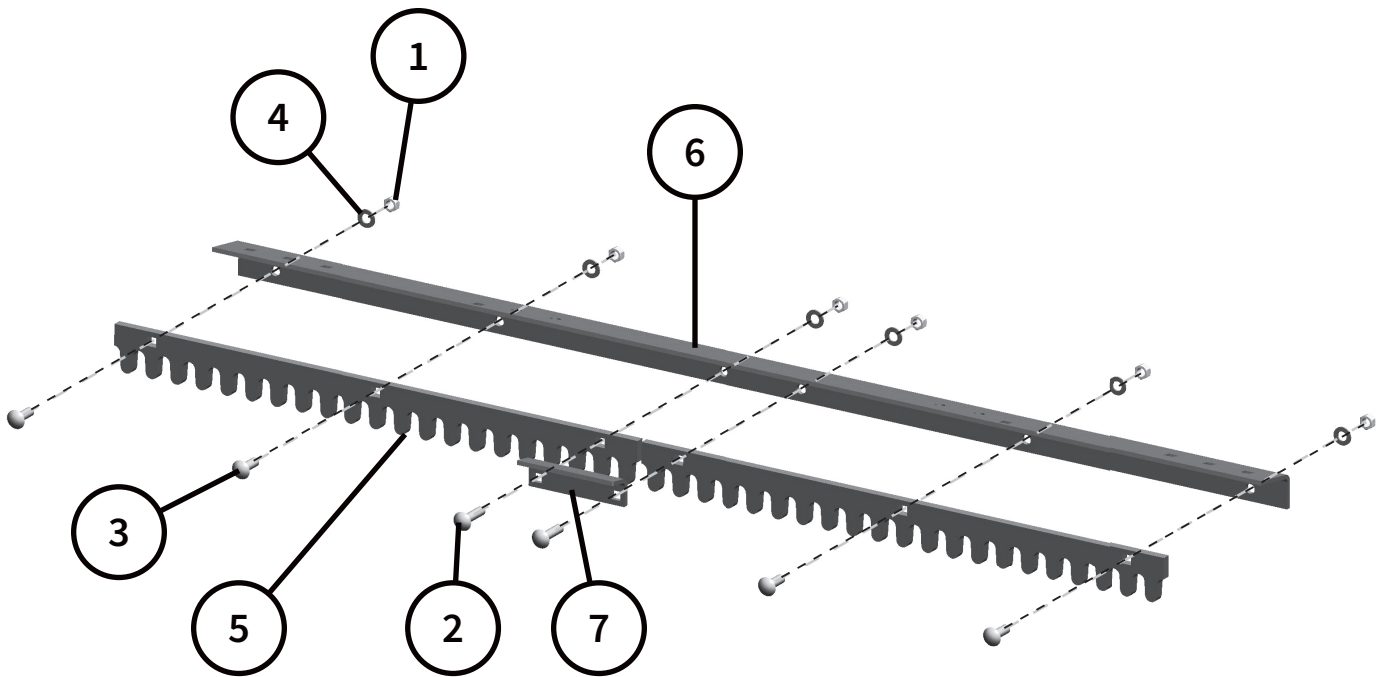
Finish Blade Kit

ITEM	PART #	DESCRIPTION	QTY
1	10-20050	1/2-13 TOP LKGRC	14
2	10-20194	FLT WSHR:1/2 SAE: CL ZINC	12
3	10-20212	WING NUT:1/2"-13:ZINC	2
4	10-20270	CARR BOLT:1/2-13 1.25":ZINC GR5	12
5	10-20273	CARR BOLT:1/2-13 2.5":ZINC GR5	2
6	10-30843	PLATE:T-CLAMP:FORCE	2
7	10-30897	PLATE:WHEEL GUIDE:FORCE	2
8	10-30904	BRKT:LH FRM END:GRADING BOX	1
9	10-30905	BRKT:RH FRM END:GRADING BLADE	1
10	10-30907	ANGLE:GRADE BLADE FRM:5.5RASCAL FORCE	1
11	10-30910	PLATE:CONTAINMENT:RASCAL FORCE	2
12	10-90144	KIT:LEVER:FORCE FINISH BLADE(supplied for the ABI Force Only)	1



ITEM	PART #	DESCRIPTION	QTY
1	10-20050	1/2-13 TOP LKGRC	6
2	10-20187	CARR BOLT:1/2-13 2":ZINC GR5	2
3	10-20188	CARR BOLT:1/2-13 1.5":ZINC GR5	4
4	10-20194	FLT WSHR:1/2 SAE: CL ZINC	6
5	10-30871	PLATE:32" SIFTING BLADE:FINISH BLADE	2
6	10-30907	ANGLE:GRADE BLADE FRM:5.5RASCAL FORCE	1
7	10-30911	PLATE:BLADE SUPPT:RASCAL FORCE	1

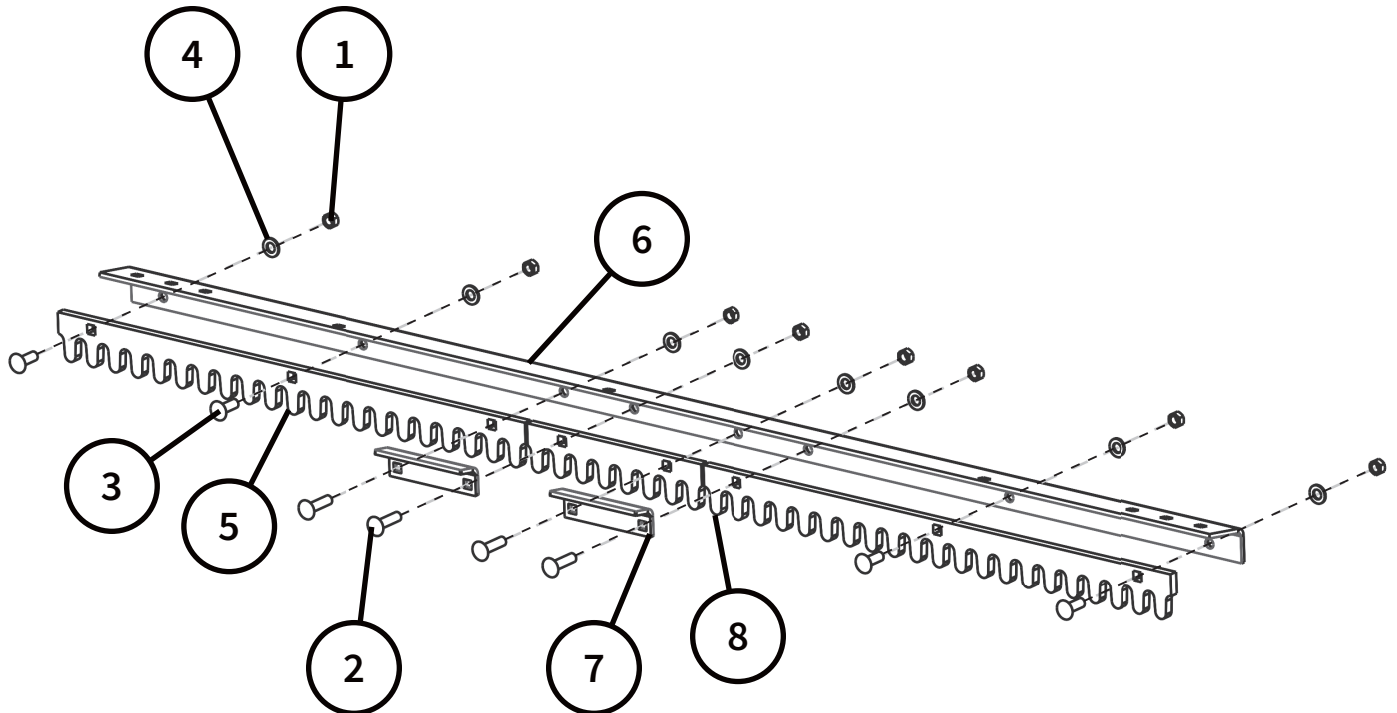
**FOR THE ABI FORCE Z-23 & ABI INFIELD RASCAL
4.5'/5.5' MINI-BOX BLADE**



SEE OTHER SHEET FOR BLADE INSTALL
BLADE STYLE MAY VARY

ITEM	PART #	DESCRIPTION	QTY
1	10-20050	1/2-13 TOP LKGRC	8
2	10-20187	CARR BOLT:1/2-13 2":ZINC GR5	4
3	10-20188	CARR BOLT:1/2-13 1.5":ZINC GR5	4
4	10-20194	FLT WSHR:1/2 SAE: CL ZINC	8
5	10-30871	PLATE:32" SIFTING BLADE:FINISH BLADE	2
6	10-30908	ANGLE:GRADE BLADE FRM:6.5RASCAL FORCE	1
7	10-30911	PLATE:BLADE SUPPT:RASCAL FORCE	2
8	10-30914	PLATE:12" SIFTING BLADE:FINISH BLADE	1

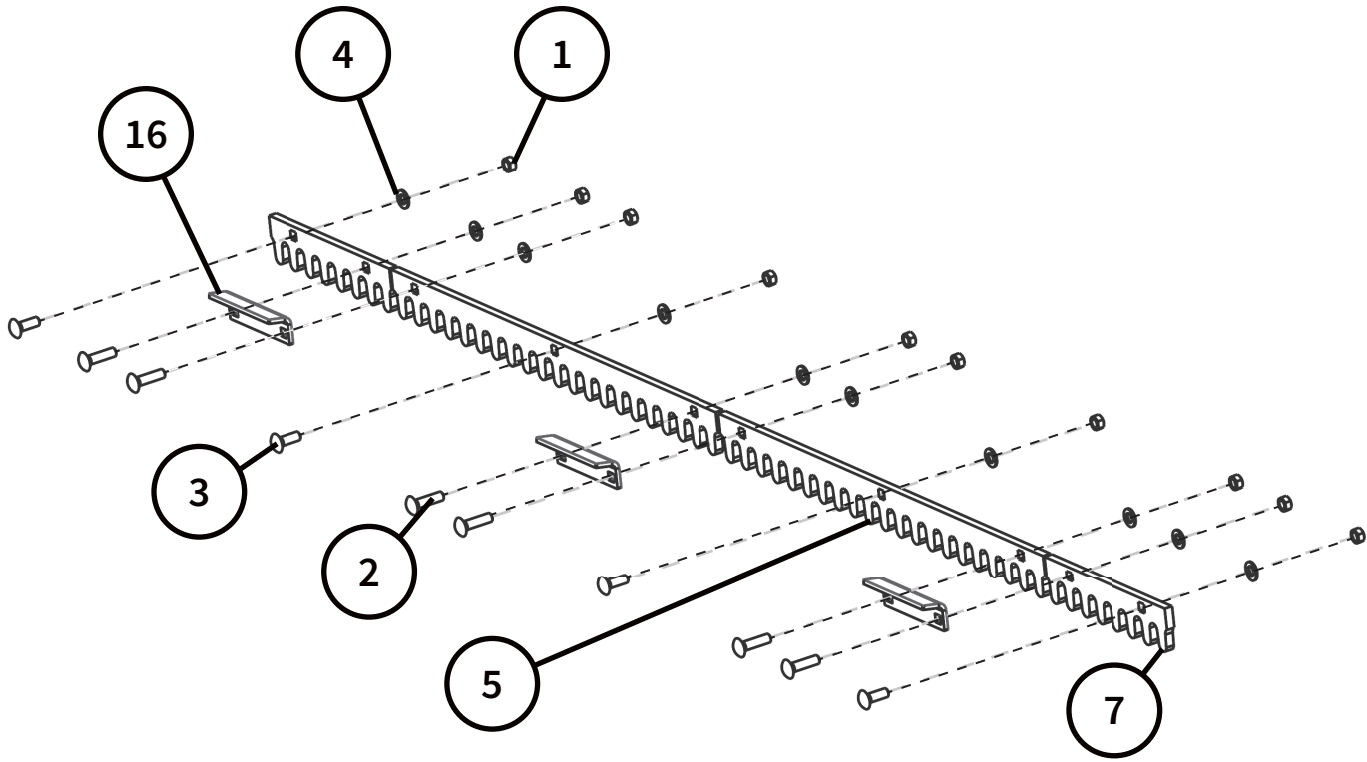
FOR THE ABI INFIELD RASCAL
6.5' MINI-BOX BLADE



SEE OTHER SHEET FOR END KIT INSTALL
BLADE STYLE MAY VARY

ITEM	PART #	DESCRIPTION	QTY
1	10-20050	1/2-13 TOP LKGRC	10
2	10-20187	CARR BOLT:1/2-13 2":ZINC GR5	6
3	10-20188	CARR BOLT:1/2-13 1.5":ZINC GR5	4
4	10-20194	FLT WSHR:1/2 SAE: CL ZINC	10
5	10-30871	PLATE:32" SIFTING BLADE:FINISH BLADE	2
6	10-30908	PLATE:BLADE SUPPT:RASCAL FORCE	3
7	10-30914	PLATE:12" SIFTING BLADE:FINISH BLADE	2

FOR THE ABI INFIELD RASCAL
7.5' MINI-BOX BLADE



SEE OTHER SHEET FOR END KIT INSTALL
BLADE STYLE MAY VARY