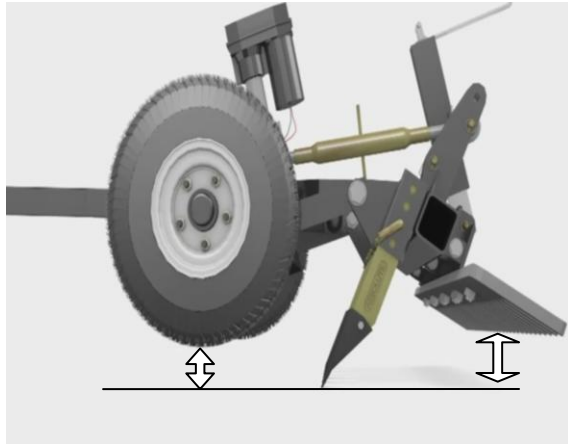
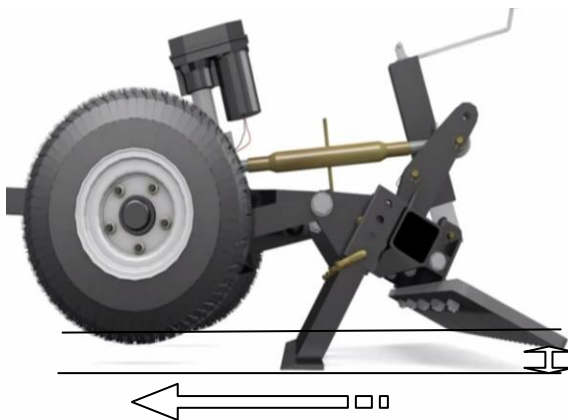


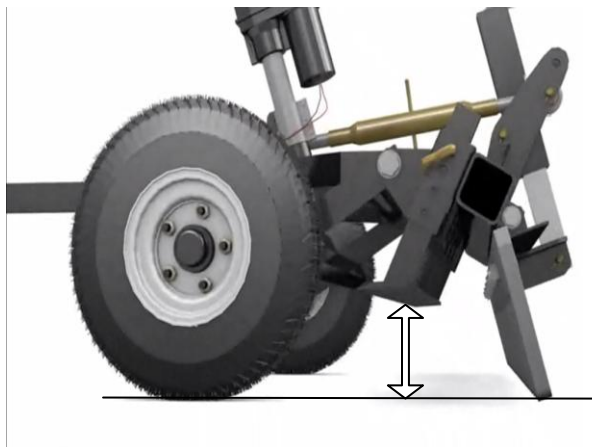
Rascal Setup help and Positions



To set the Depth: Place the Rascal on a hard surface. Raise the finish rake up so the Rascal will set on the scarifiers and wheels. Then raise the wheels up to about the depth you wish to drag. Example – if you want 2" of ripping depth set the distance from the bottom of the wheel to the ground around 1 1/2" from the surface. Mark this on the shaft of the actuator or the hand jack to ensure hitting the same mark later.



When using the Profile blade you want to make sure the blade runs as level to the base as it can. You make the adjustment for this with the top link. Pull the Rascal a few feet then uncover one end of the Profile blade and make sure it is running level to the base. You may need to adjust a few times to get the blades set level. Once the Profile blade is set, and running level adjust the finish rake down starting at about 3/4" into the footing and adjust as needed. You can go deeper or shallower to fine tune your footing.



Grading with the Finish Rake: You can use the finish rake like a grading blade. For this lower the wheel down, and either flip the profile blade or scarifiers over to the top, or raise them so they can not touch the footing. Lower the finish rake down so that it is close to a 90 degree angle, and then you are ready to grade. This is useful for moving large amounts of dirt or footing, or repairing footing in an arena.