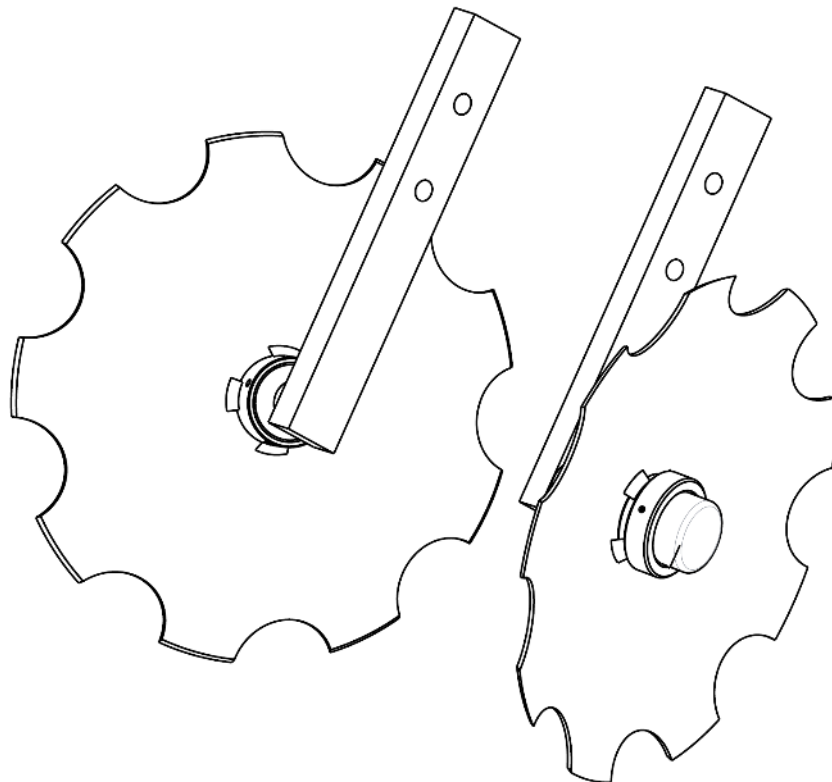


ABI Food Plot Disc Installation Instructions

TR3-E Series/TR3/Rascal



NOTE: This Installation Instruction document covers several models. Features may vary by model. Not all features in this document are applicable to all models and the model depicted may differ from yours.

TR3-E Series

To install Left (10-90490) and Right (10-90491) Discs:

1. Mount unit to 3 pt hitch on tractor, lift unit up, remove pins and Profile Blades.
2. Slide Left Discs (10-90490) into the rear set of pockets on left side of unit and Right Discs (10-90491) into the rear set of pockets on right side of unit (see **Fig 1** and **Fig 2**).

NOTE: On earlier models, the Profile Mounting Bar does not have a rear set of pockets for mounting discs. For units that don't have a Profile Mounting Bar or for units that have a Profile Mounting Bar with pockets only on the front, optional Food Plot Disc Mounting Bar Kits can be purchased. See size list below.

- Recommend pinning hole in disc shank farthest from disc into 3rd hole from the bottom of the pocket (see **Fig 2**).
- Disc shanks must be slid into the pocket with the shanks toward the inside of the unit and the discs facing outwards so the discs will push the soil outward (see **Fig 2**).

Food Plot Disc Mounting Bar Kit required:

- 6' TR3-E uses 10-90576 Asm: Food Plot Disc Mtg Bar
- 7' TR3-E uses 10-90577 Asm: Food Plot Disc Mtg Bar
- 8' TR3-E uses 10-90578 Asm: Food Plot Disc Mtg Bar

Number of Disc required:

6' TR3-E uses (2) Left Disc and (2) Right Disc (~3.3' working width)

7' TR3-E can use either (2) Left Discs and (2) Right Discs (~3.3' working width) or (3) Left Discs and (3) Right Discs (~5.3' working width)

[Must remove gauge wheels to run 3 right and 3 left discs]

8' TR3-E uses (3) Left Discs and (3) Right Discs (~5.3' working width)

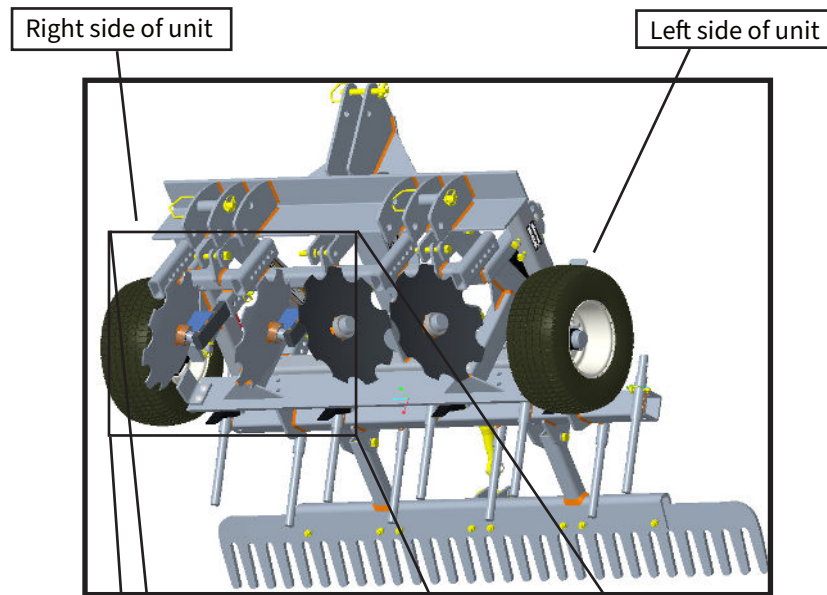
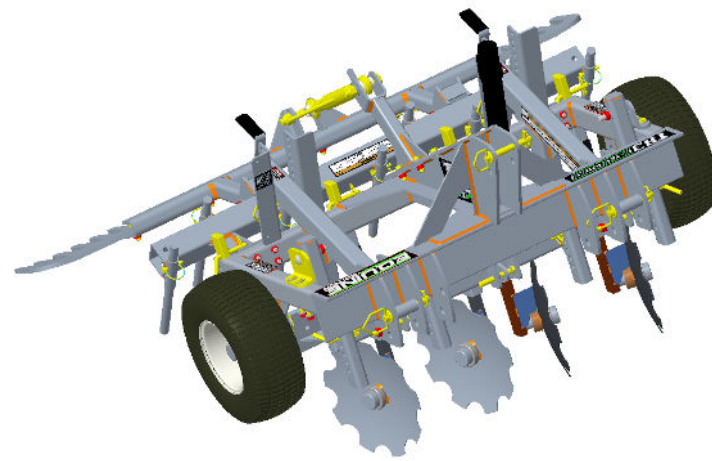


Fig 1

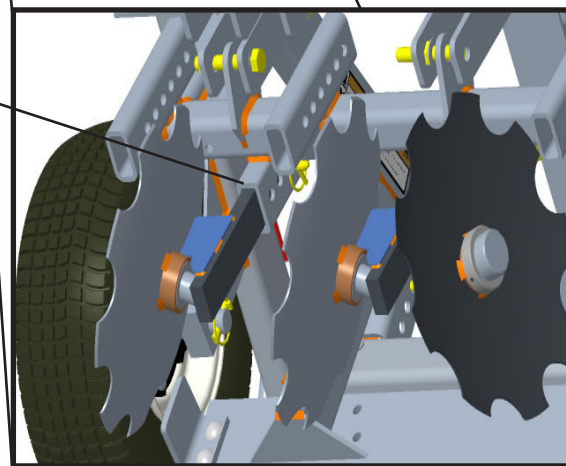
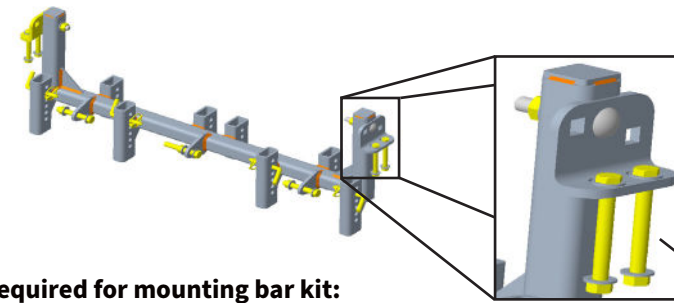


Fig 2

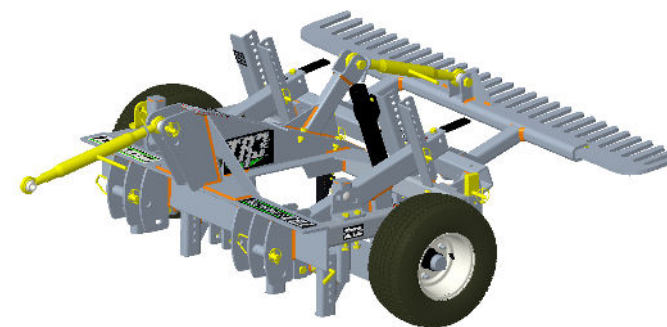
To install Food Plot Disc Mtg Bar to unit w/o existing bar:



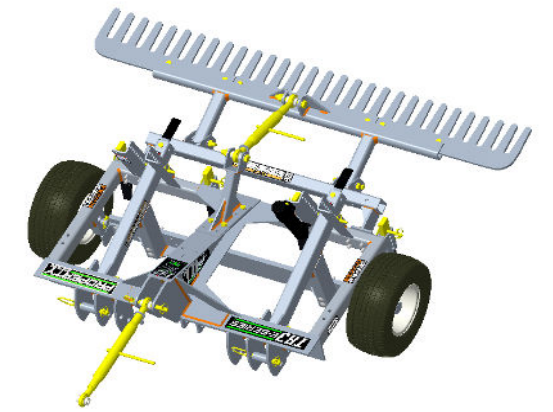
Tools required for mounting bar kit:

- Safety Glasses
- Gloves
- (2) 3/4" wrenches
- (2) 15/16" wrenches

1. Remove mounting brackets on both ends of the new mounting bar using (2) 3/4" wrenches and (1) 15/16" wrench as well as the bolts and nuts from mounting bar ears using (2) 15/16" wrenches (3 places) (**Fig 3**).
 2. Slide mounting bar under unit and lift into position and reattach mounting brackets (removed in step 1) by aligning the 2 holes in the mounting brackets with the 2 holes in the existing frame on both ends using (2) 3/4" wrenches. Slide Carriage bolt thru top hole in bracket and thru hole in mounting bar and tighten nut using (1) 15/16" wrench (**Fig 3**).
- Recommend 1 person on each side of unit to support the new mounting bar while securing it with the bolts.**
3. Slide bolts (removed in step 1) thru existing frame and ears on mounting bar (3 places) and retighten nuts using (2) 15/16" wrenches (**Fig 4**).



Modification completed



Mounts to existing side rail on frame - both sides

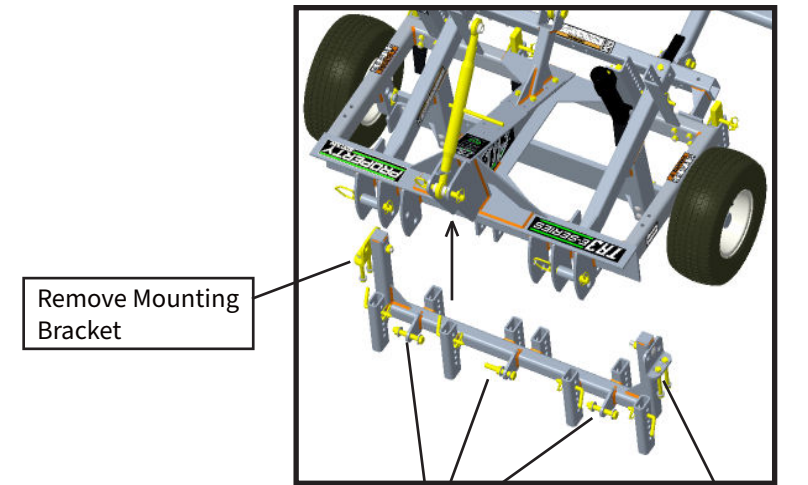


Fig 3

Remove bolts and nuts from mtg bar ears (3 plc)

Remove Mounting Bracket

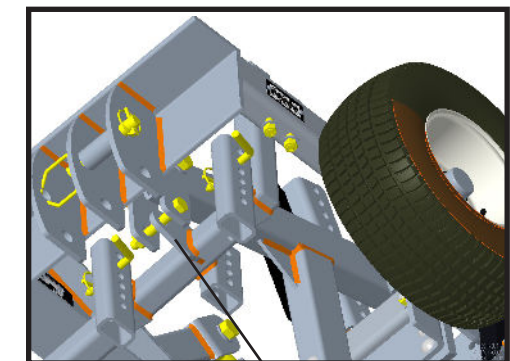


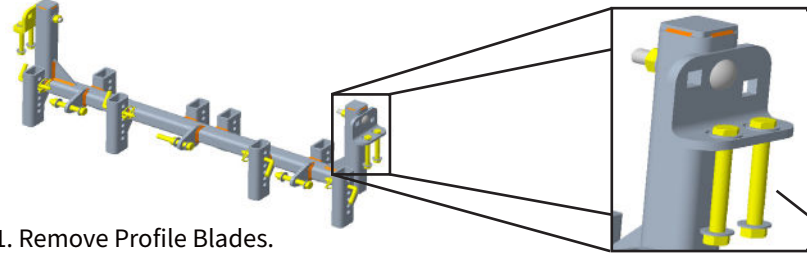
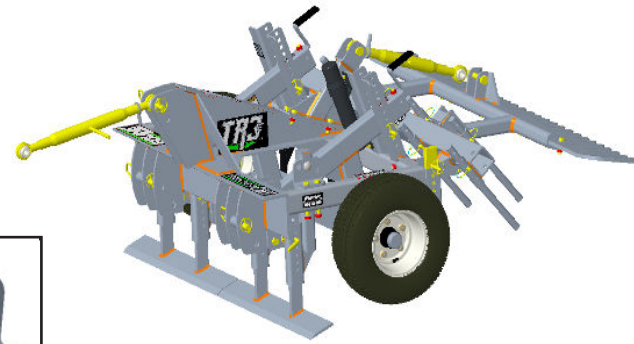
Fig 4

Mounting bar ear (3 plc)

To install Food Plot Disc Mtg Bar to unit with existing Profile Mtg Bar w/o rear pockets:

1. Remove Profile Blades.
 2. Remove existing mounting brackets on both ends of the Profile Mtg Bar using (2) 3/4" wrenches and (1) 15/16" wrench as well as the bolts and nuts from mounting bar ears using (2) 15/16" wrenches (3 places) (Fig 5).
- Recommend 1 person on each side of unit to support the mounting bar while removing the bolts.
3. Remove existing Profile Blade Mtg Bar (that has the missing rear pockets).

4. Slide new Food Plot Disc mounting bar under unit and lift into position and reattach mounting brackets (supplied with kit) by aligning the 2 holes in the mounting brackets with the 2 holes in the existing frame on both ends using (2) 3/4" wrenches. Slide Carriage bolt thru top hole in bracket and thru hole in mounting bar and tighten nut using (1) 15/16" wrench (Fig 5).
- Recommend 1 person on each side of unit to support the new mounting bar while securing it with the bolts.
5. Slide bolts (supplied with kit) thru existing frame and ears on mounting bar (3 places) and retighten nuts using (2) 15/16" wrenches (Fig 6).
 6. Food Plot Discs can now be installed as described in Figures 1 and 2.
 7. When ready to use the Profile Blades, remove the discs from the rear pockets and return Profile Blades to appropriate front pockets.



Mounts to existing side rail on frame - both sides

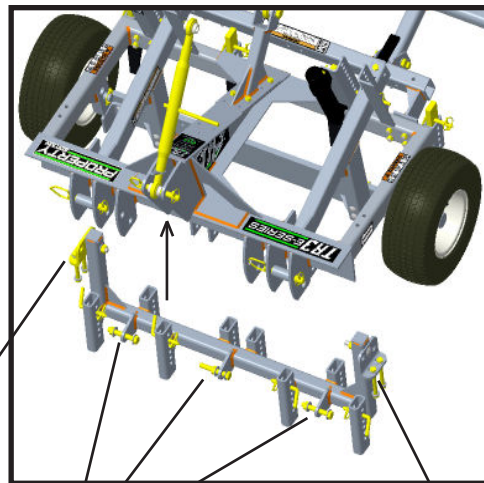
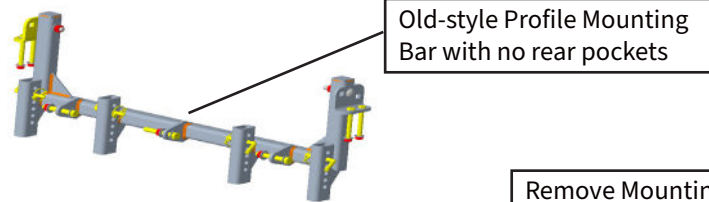


Fig 5

Remove Mounting Bracket

Remove bolts and nuts from mtg bar ears (3 plc)

Remove Mounting Bracket



Old-style Profile Mounting Bar with no rear pockets

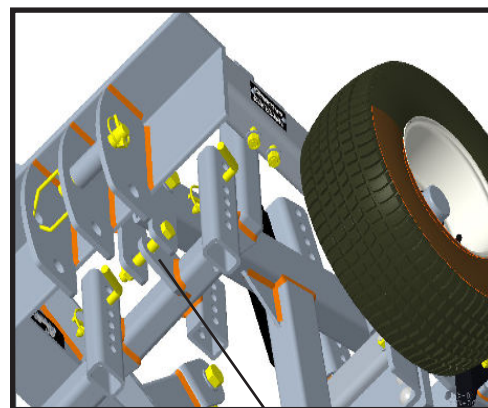


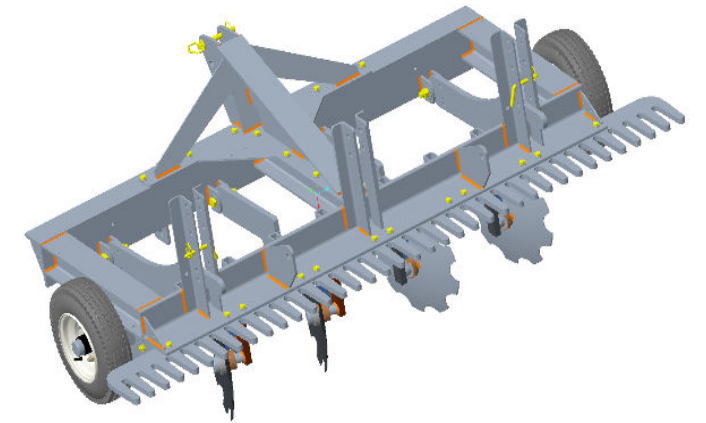
Fig 6

Mounting bar ear (3 plc)

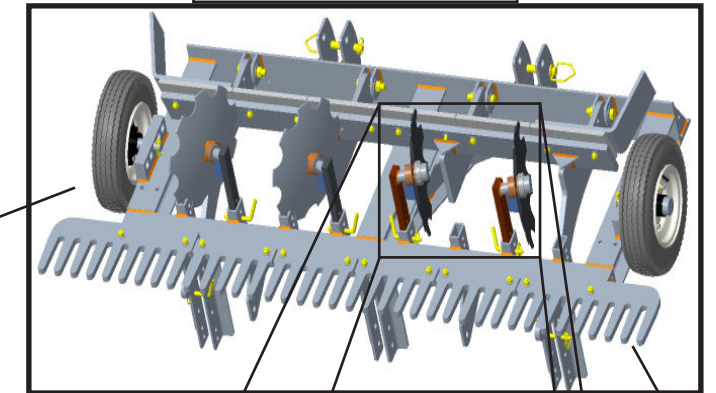
TR3

To install Left (10-90490) and Right (10-90491) Discs:

1. Mount unit to 3 pt hitch on tractor, lift unit up, remove pins and Scarifiers.
 2. Slide Left Discs (10-90490) into every other pocket on left side of unit and Right Discs (10-90491) into every other pocket on right side of unit (see Fig 7 and Fig 8).
- Recommend pinning hole in disc shank farthest from disc into 2nd hole from the bottom of the pocket (see Fig 8).
 - Disc shanks must be slid into the pocket with the shanks toward the inside of the unit and the discs facing outwards so the discs will push the soil outward (see Fig 8).



View up unit upside down



Right side of unit

Fig 7

Left side of unit

Number of Disc required:

- 6.5' TR3 uses (2) Left Disc and (2) Right Disc (~4.6' working width)
- 7.5' TR3 uses (2) Left Disc and (2) Right Disc (~4.4' working width)
- 8.5' TR3 uses (3) Left Discs and (3) Right Discs (~6.8' working width)

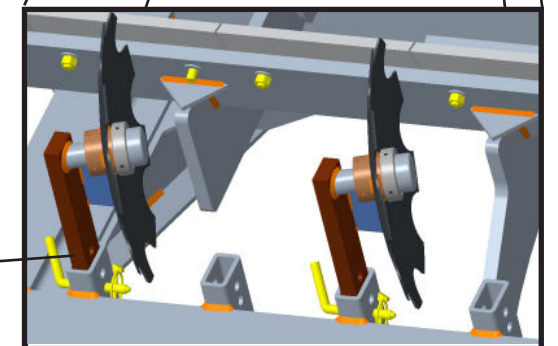


Fig 8

Mount Discs in every other pocket with disc shanks toward the inside of the unit and discs facing outward.

NOTE:

Only compatible with TR3 Rake models with removable scarifier teeth.
Not Compatible with TR3 Command Series or SR3 Command Series tools.

Rascal

To install Left (10-90490) and Right (10-90491) Discs:

- Grab tongue of unit and flip unit over backward so it sits on rake with tongue vertically upward (recommend 2 people to lift). Remove pins and Profile Blades or Scarifiers (as shown in **Fig 9**).
- Slide Left Discs (10-90490) into pockets on left side of unit and Right Discs (10-90491) into pockets
 - Recommend pinning hole in disc shank closest to disc into lowest hole in pocket (farthest from main frame) (**Fig 10** and **Fig 11**).
 - Disc shanks must be slid into every other pocket with the shanks toward the inside and the discs facing outward of the unit so the discs will push the soil outward (**Fig 12**).
- Raise Wheels all the way up during disc operation. Lower wheels when transporting unit.

NOTE:

Not compatible with Rascal LGR or Infield Rascal Pro Models.

Number of Disc required:

- 4.5' Rascal uses (1) Left Disc and (1) Right Disc (~3.6' working width)
- 5.5' Rascal uses (2) Left Discs and (2) Right Discs (~4.8' working width)
- 6.5' Rascal uses (2) Left Discs and (2) Right Discs (~4.8' working width)
- 7.5' Rascal uses (2) Left Discs and (2) Right Discs (~4.8' working width)

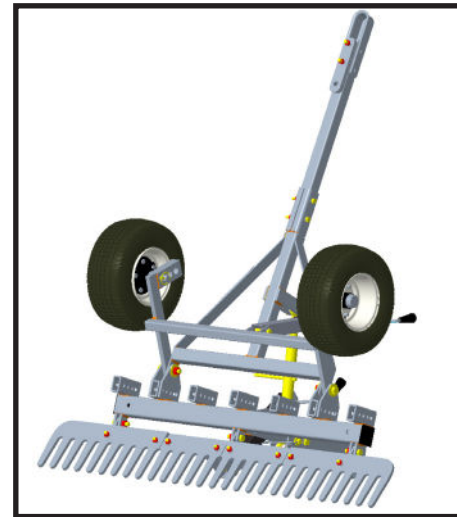
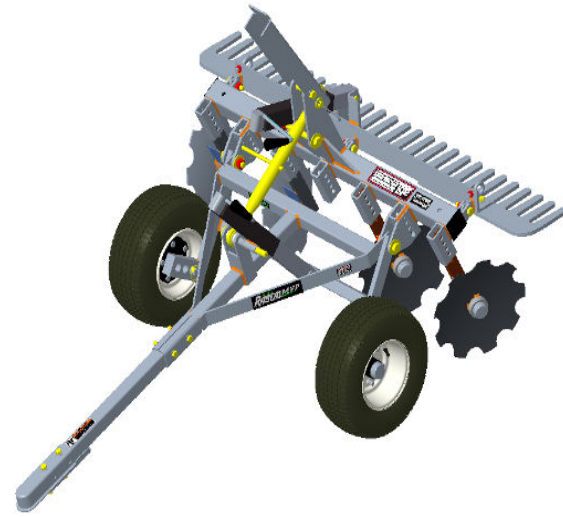


Fig 9

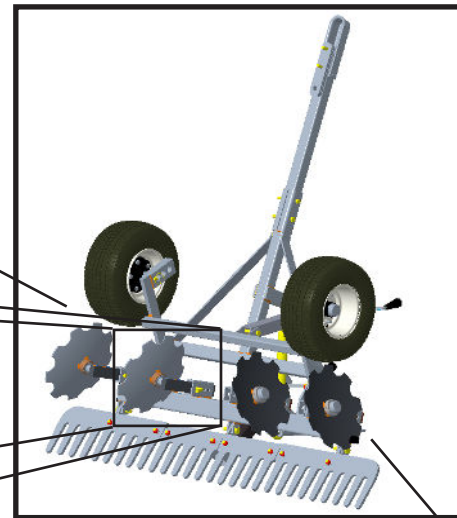


Fig 10

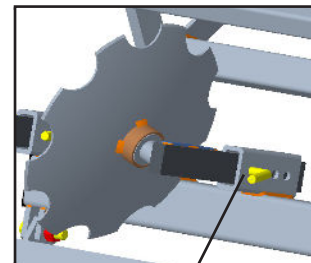


Fig 11

Pin disc Shank in lowest pocket hole mounted so that the disc shank is toward the inside of the unit and the disc is facing outward.

Right side of unit

Left side of unit

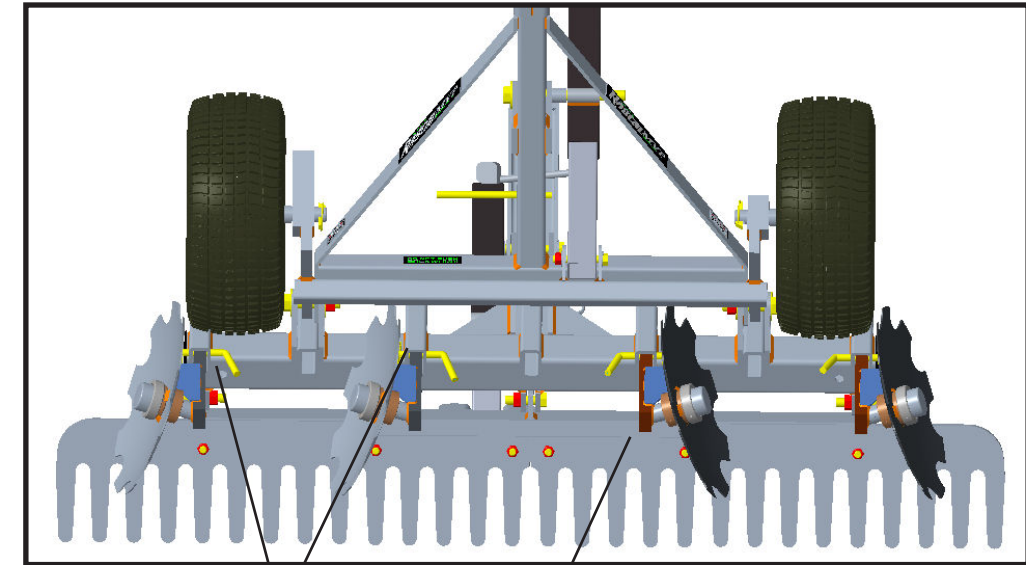


Fig 12

Mount discs in every other pocket

Discs are mounted so that the disc shank is toward the inside of the unit and the disc is facing outward.

Optional Weight Kit

If adding weight to the Rascal Unit is desired to sink the discs deeper into the material, 10-90580 KIT: WEIGHT SUPPORT BRACKET (RASCAL) can be purchased. This can be mounted to your unit (as shown in **Fig 13**).

(2) 40 LB weights [P/N R66949] (**Fig 14**) can be purchased from a local tractor dealership or online and mounted onto the optional weight kit (as shown in **Fig 15**).

10-90580 Weight Bracket Kit



Fig 13



Fig 14



Fig 15

Contact Information

ABI Attachments, Inc
520 S. Byrkit Ave.
Mishawaka, IN 46544

Customer Support

Email: support@abiattachments.com
Phone: 877-788-7253
Website: www.abisupport.com

To order parts or to speak to one of ABI's Customer Service Representatives contact us Monday to Friday 9am to 5pm EST.

For additional information on the use or setup of the Food Plot Disc, please contact the ABI customer support team at 855.211.0598.

Warranty Information and Return Policy - Warranty and return policy information can also be found on the ABI support page under each tool. For additional questions regarding warranty or return policy, contact the ABI customer support team at 855.211.0598.

